

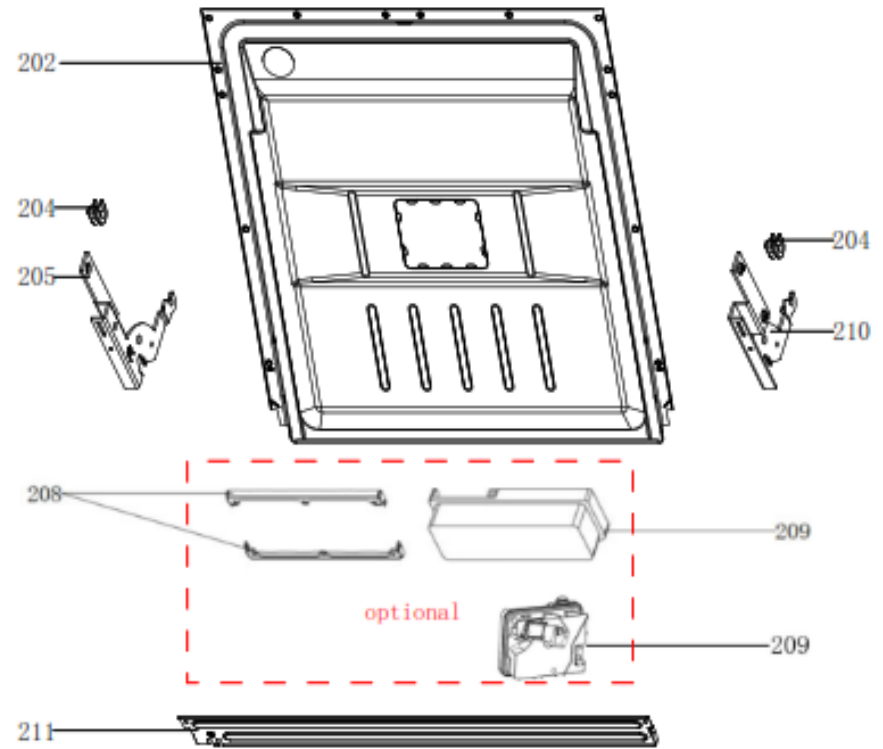
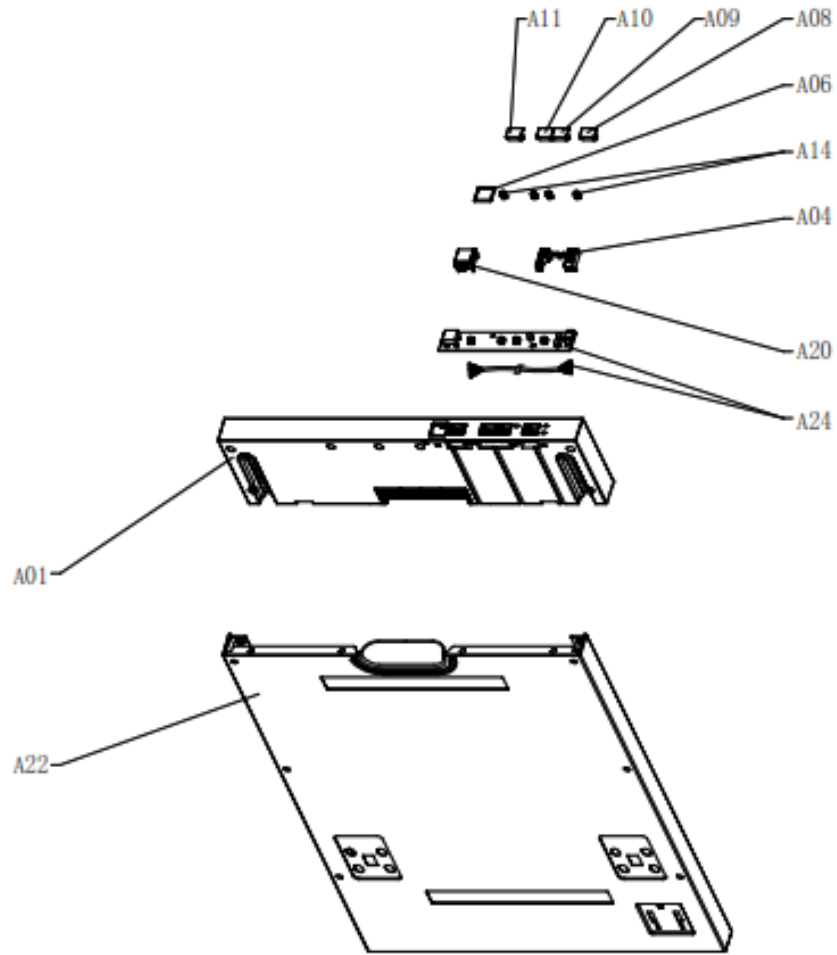
Dishwasher

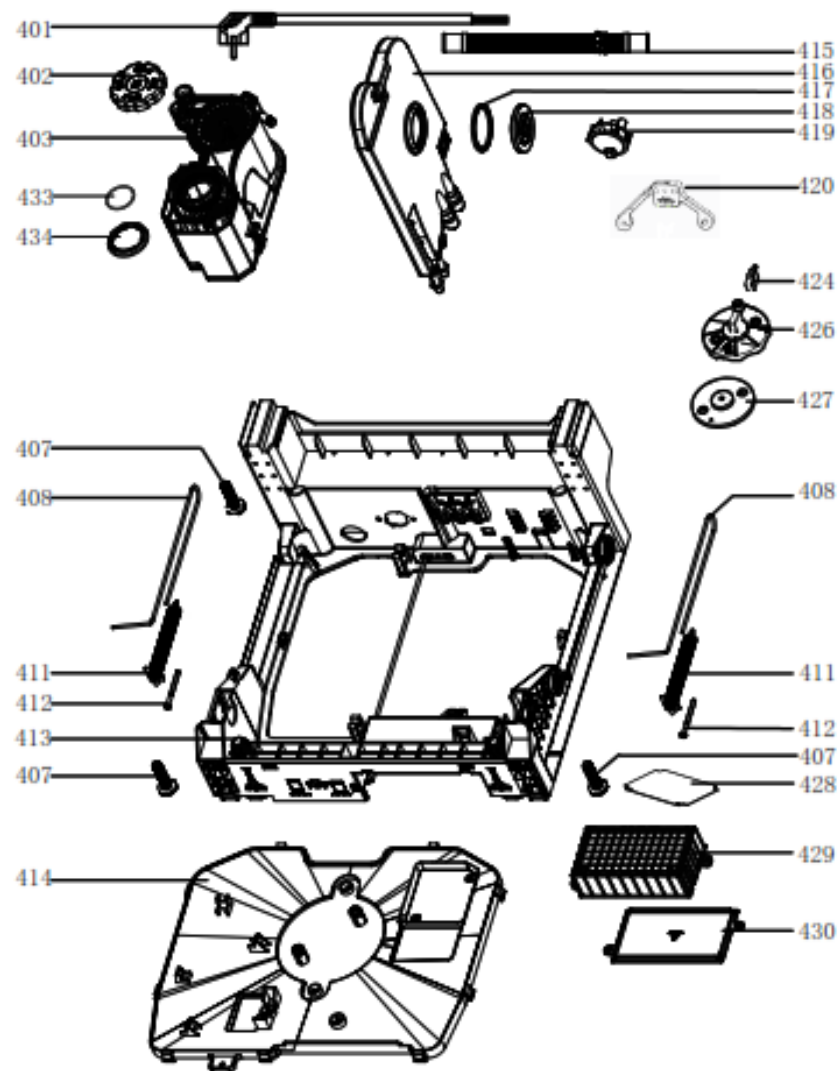
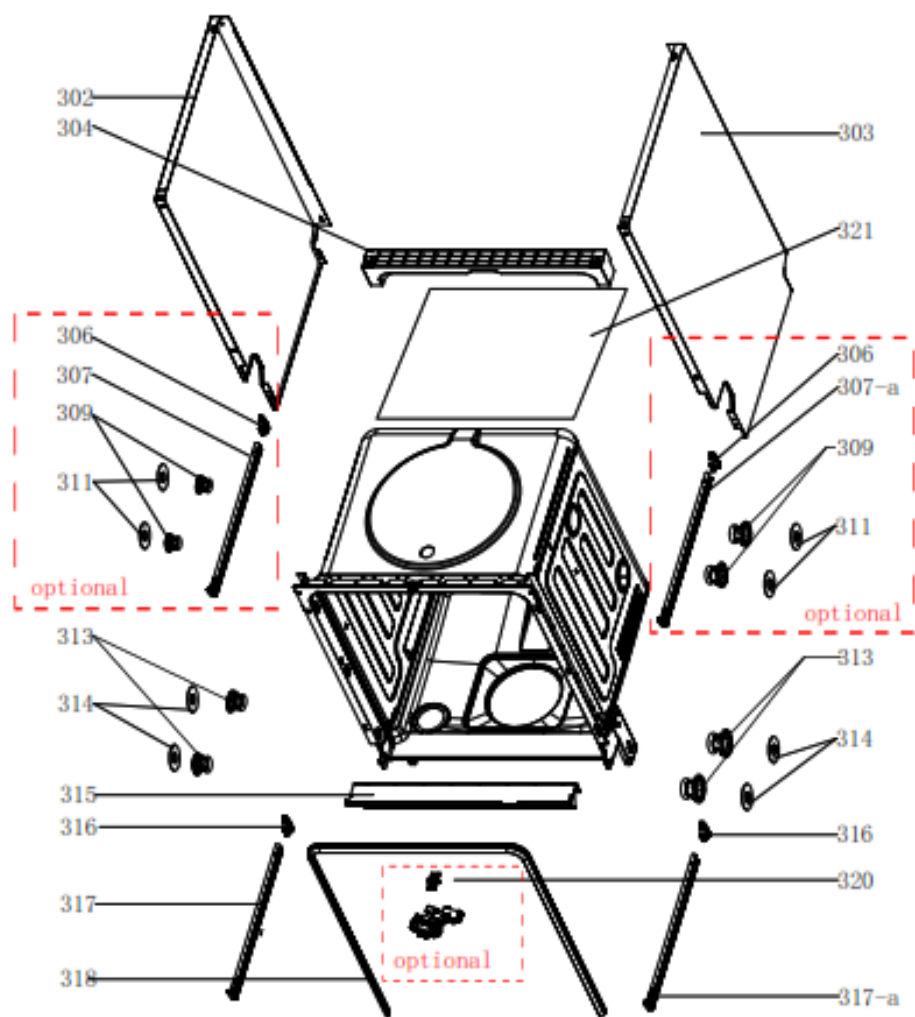
Model Numbers

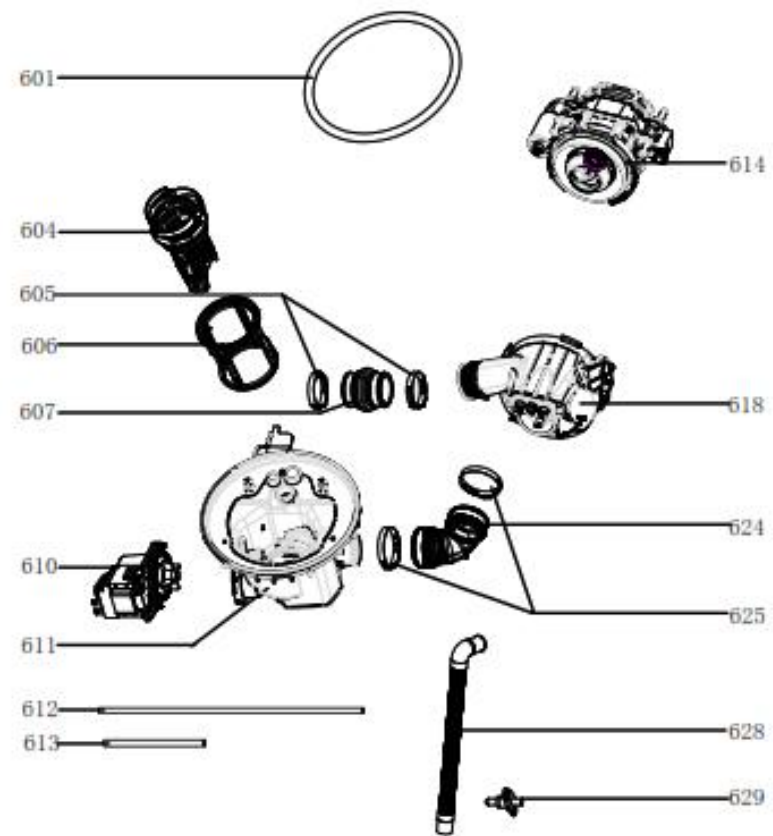
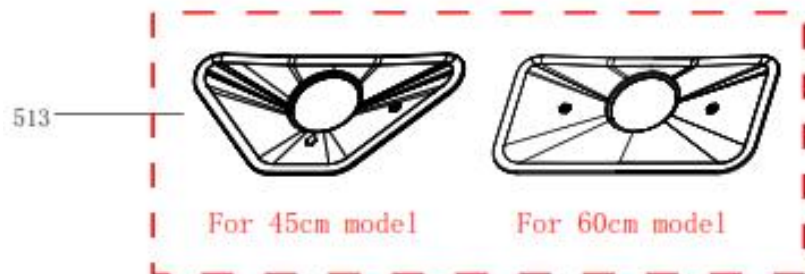
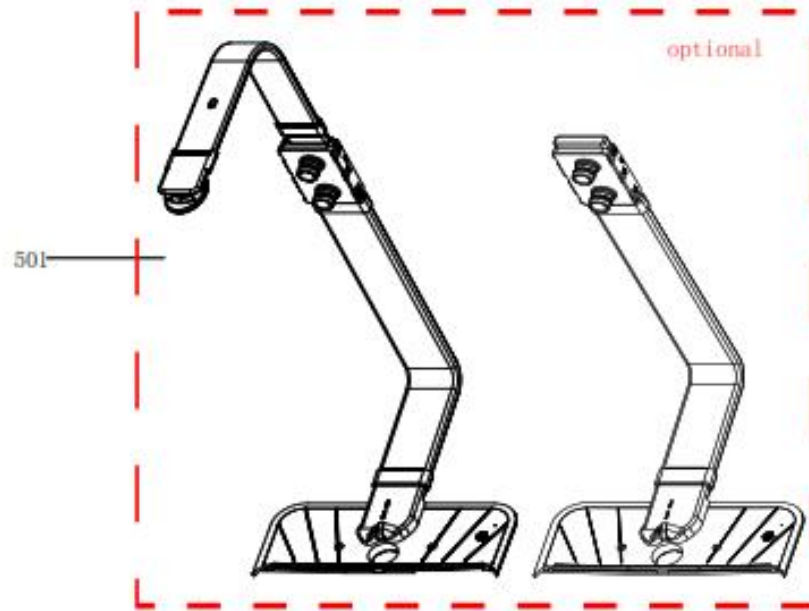
NE45BD10UK_EU

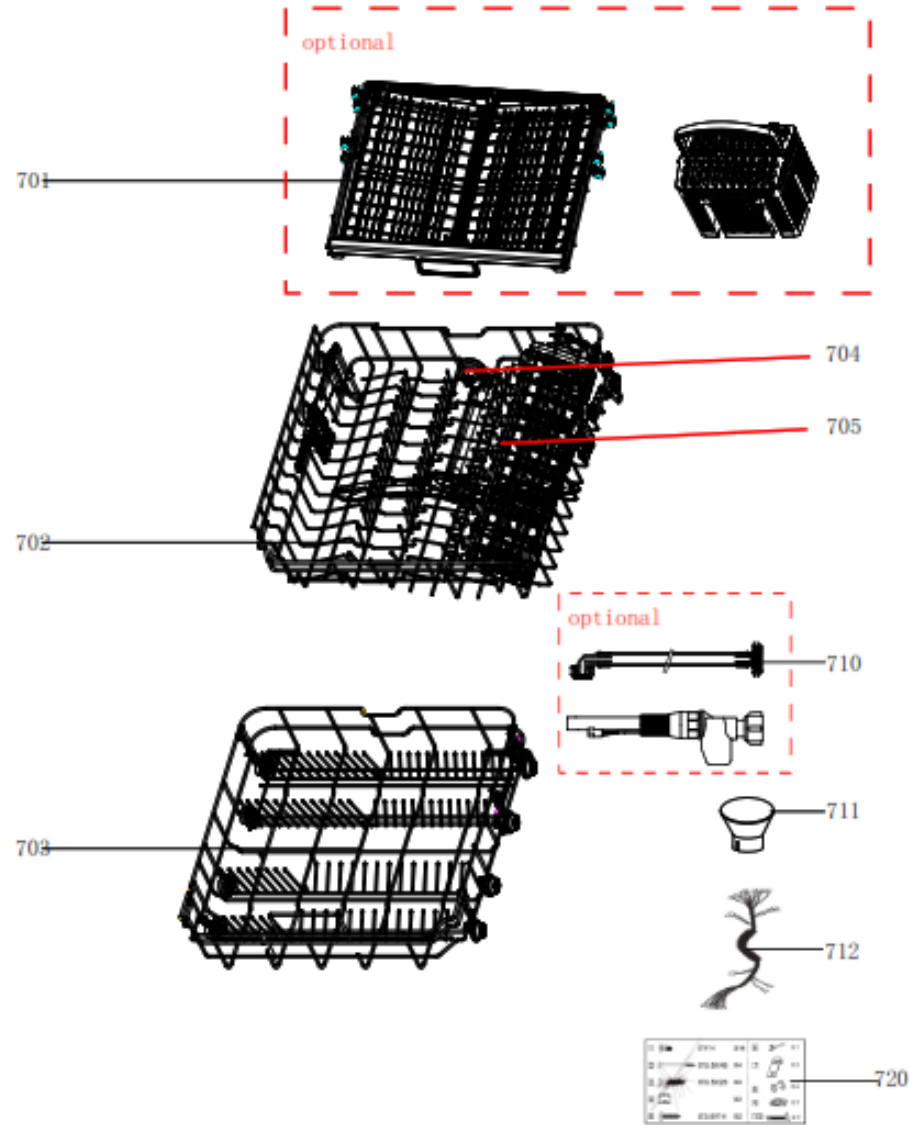
Parts Manual

Exploded Drawings

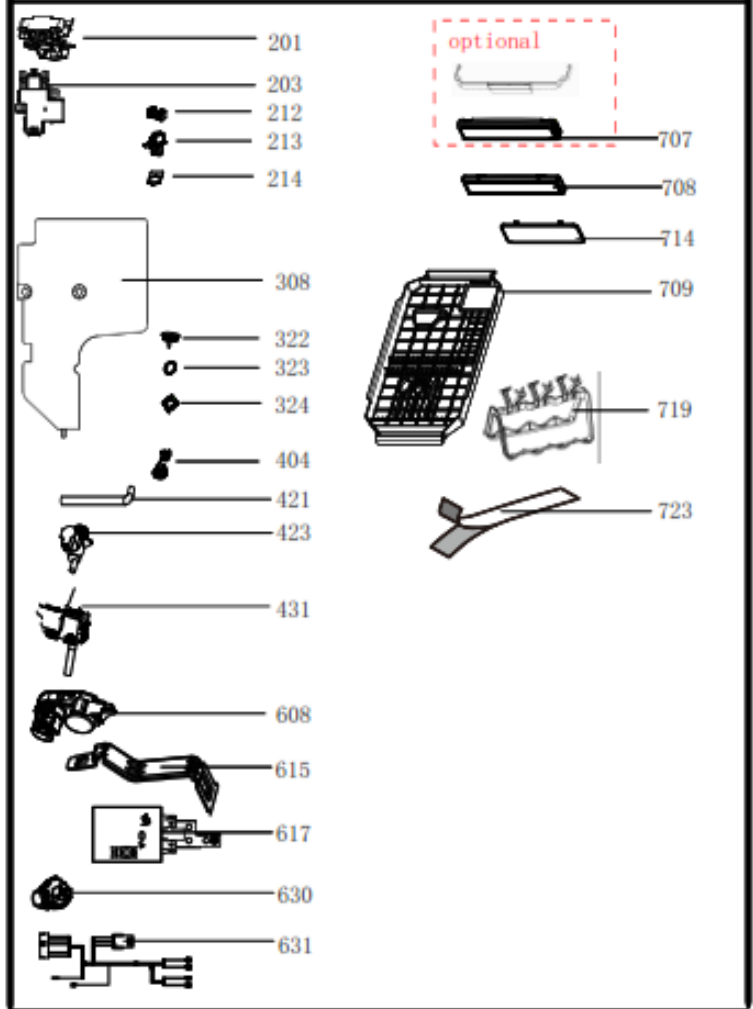








These parts are optional. Only serial numbers listed in the spare parts list represent the parts the machine possesses.



Spare Parts List

ID No	Part Number	Apelson Code	Part Description	Qty.
A02	12176000025130	AA0000003575	INDICATOR LIGHT COVER	1
A06	12676000004222	AA0000003576	SEALING GASKET	1
A09	12176000B08742	AA0000003560	BUTTON	1
A08	12176000B08732	AA0000003561	BUTTON	1
A11	12176000B08744	AA0000003562	BUTTON	1
A14	12976000000141	672000100089	SPRING	4
A22	12276000014972	AA0000002148	OUTERDOOR	1
A24	17176000A04909	AA0000003544	DISPLAY CIRCUIT BOARD	1
A01	12176000B08772	AA0000003576	CONTROL PANEL ASSEMBLY	1
A20	12176000025132	AA0000003577	DISPLAY WINDOW	1
A10	12176000B08745	AA0000003578	BUTTON	1
201	17476000007454	AA0000002150	DOOR SWITCH ASSEMBLY	1
202	12276000A34940	AA0000003545	INNER DOOR ASSEMBLY	1
203	12176000030346	6730002328	DOOR LOCK ASSEMBLY	1
204	12176000003629	AA0000003560	SNAP RING	1
205	12276000021255	AA0000003561	LEFT HINGE ASSEMBLY	1
209	17476000010723	AA0000003562	DISPENSER	1
210	12276000021256	AA0000003563	RIGH THINGE ASSEMBLY	1
211	12276000019617	AA0000003564	CONNECTING BOARD	1
217	12176000013663	673001600099	AIR BREATHER NUT	1
302	12276000026818	AA0000003565	LEFT SIDE PANEL	1
303	12276000014953	AA0000001175	RIGHT SIDE PLATE	1
304	12176000003871	AA0000002154	UPPER BACK SUPPORT	1
313	12176000010412	AA0000001775	RAIL SUPPORT ASSEMBLY	4
314	12176000008573	AA0000001776	BASKET GUIDER SUPPORTING HOLDER	4
315	12276000023092	AA0000003566	ACOUSTIC PANEL	1
316	12176000008496	673001300803	STOPPER	2
317	12276000001357	25107235	GUIDE RAIL ASSEMBLY	1
317-a	12276000001360	25107240	GUIDE RAIL ASSEMBLY	1
318	12676000000893	AA0000003567	SEAL	1

320	1217600009491	AA0000002155	DOOR LOCK HOOK	1
321	12176000010261	673000102016	BACK PLATE	1
401	17476000007384	AA0000002156	EUROPEAN STANDARD POWER CORD	1
402	12176000010640	673002800187	SOFTENER COVER ASSEMBLY	1
403	17476000010222	AA0000002766	SOFTENER	1
404	12176000009490	AA0000002157	POWER CORD CLASPER	1
407	12176000009726	25107585	FOOT	3
408	12976000000400	673001300699	DOOR ROPE	2
411	12976000000134	672000100116	SPRING	2
412	12976000001001	62701160	ADJUST SCREW OF DOOR SPRING	2
413+407	12176000003011	673000100079	BASE TRAY ASSEMBLY	1
414	12176000003088	673000101209	BASE COVER	1
415	12676000000138	25107280	DRAIN PIPE ASSEMBLY	1
416	12176000003906	25107355	AIR BREATHER ASSEMBLY	1
417	12676000000713	60501360	WASHER	1
418	12176000013663	673001600099	AIR BREATHER NUT	1
419	17476000007426	AA0000002158	PRESSURE SWITCH	1
420	12276000008925	25107295	HOOK ASSEMBLY	1
421	12676000000140	673000900289	INLET HOSE OF AIR BREATHER	1
423	17476000001144	25107290	WATER INLET VALVE	1
424	17476000001137	25107305	MICROSWITCH	1
426	12176000003125	25107310	SWITCH SEAT	1
427	12876000000050	25107315	FLOAT	1
428	17176000031431	AA0000003546	MAIN CONTROL BOARD	1
429	12176000016897	60703810	PCB BOX COVER	1
430	12176000016896	60703815	PCB BOX	1
433	12676000004982	61900200	SOFTENER GASKET	1
434	12176000009513	60703200	SOFTENER NUT	1
501	12176000009430	673000903005	INNER PIPE ASSEMBLY	1
510	12176000009195	673000330028	LOWER SPRAYER	1
511	12176000008645	25107270	LOWER SPRAYER SEAT	1
513	12176000003700	65300560	PLANE FILTER	1
601	12676000001461	60501365	SEAL RING	1

604	1217600009640	AA0000003568	FILTER HANDLE	1
605	12976000004604	62902285	CLAMP	2
606	12176000003676	25107345	CYLINDRICAL FILTER	1
607	12676000000132	673000900417	WASHING PUMP OUTLET PIPE	1
610	17476000007443	26000380	DRAIN PUMP	1
611	12176000016230	AA0000003569	WATER CUP ASSEMBLY	1
612	12676000000687	673000902005	PRESSURE SWITCH PVC PIPE	1
613	12676000000170	673000902007	WATER OUTLET PIPE	1
614	17476000008302	AA0000003570	DRAIN PUMP	1
614	17476000019735	AA0000003571	INDUCTION PUMP	1
618	17476000007431	AA0000002161	HEATING TUBE ASSEMBLY	1
624	12676000000162	673000900418	INLET PIPE	1
625	12976000000308	69411135	CLAMP	2
628	12676000000955	673000903024	DRAIN HOSE	1
629	17176000012008	62100375	TEMPERATURE SENSOR	1
630	17176000014521	62101265	TURBIDITY SENSOR	1
631	17476000000382	AA0000003572	WIRE HARNESS	1
701	12176000002729	673003200057	CUTLERY BASKET	1
702	12976000007852	25109820	UPPER BASKET ASSEMBLY	1
703	12976000007851	25109825	LOWER BASKET ASSEMBLY	1
704	12176000009231	673000300147	SPRAY ARM ASSEMBLY	1
705	12176000002821	673003200058	KNIFE AND FORK RACK	1
710	12176000A69893	AA0000003573	INLET PIPE ASSEMBLY	1
711	12176000010312	25107250	SALT FILLER	1
712	17476000A04339	AA0000003574	MAIN WIRE HARNESS	1
720	12976000000292	670400047004	ACCESSORY BAG	1
723	16076000001068	AA0000003548	ANTI CONDENSATION STRIP	1